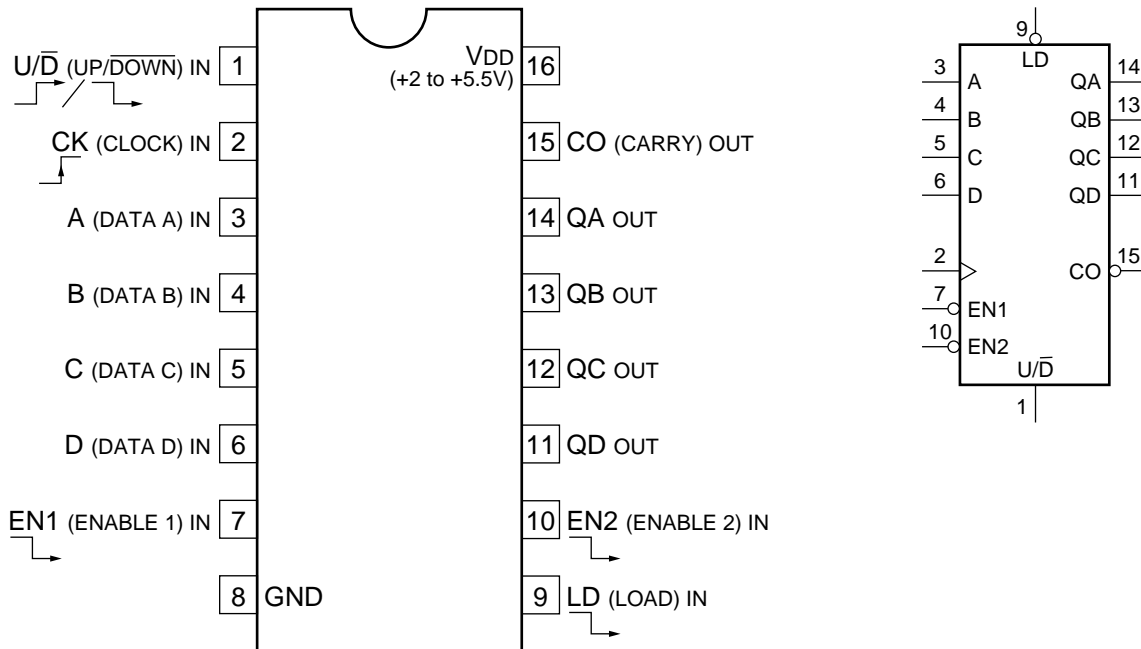

C-MOS PRESETTABLE SYNCHRONOUS 4-BIT BINARY UP/DOWN COUNTER -TOP VIEW-



MODE SELECTION

INPUTS				MODE
LD	EN1	EN2	$\overline{U/D}$	
0	X	X	X	PRESET
X	1	X	X	NO COUNT
X	X	1	X	NO COUNT
1	0	0	1	UP COUNT
1	0	0	0	DOWN COUNT

- 0 ; LOW LEVEL
- 1 ; HIGH LEVEL
- X ; DONT CARE

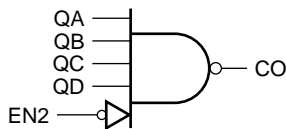
COUNT SEQUENCE

COUNT	OUTPUTS			
	QD	QC	QB	QA
0	0	0	0	0
1	0	0	0	1
2	0	0	1	0
3	0	0	1	1
4	0	1	0	0
5	0	1	0	1
6	0	1	1	0
7	0	1	1	1
8	1	0	0	0
9	1	0	0	1
10	1	0	1	0
11	1	0	1	1
12	1	1	0	0
13	1	1	0	1
14	1	1	1	0
15	1	1	1	1



CARRY OUTPUTS "CO"

AT $\overline{U/D} = 1$



AT $\overline{U/D} = 0$

